

NITRON® Cold Draft 4:1-12:1, CE EU

Height: 34.0" Width: 9.8" Depth: 29.8"
(86.4cm) (24.9cm) (75.7cm)



- Serve different coffees or teas, one Nitro and one Still, using two 1-gallon ball-valve concentrate BIBs or BUNN refillable containers
- Patented BUNN gas infusion technology can produce up to 3 minutes of cascading micro-bubbles
- Chrome-plated brass tap handles and nitro stout nozzles provide the quality-oriented craft experience of serving a premium beverage on tap
- Automatic water bath fill maintains water bath level for optimal cold beverage capacity
- Sleek, all-black door complements any commercial setting
- Flashing red LED light on door alerts the operator when to replenish nitrogen tank
- At a rate of one 473 ml drink per minute, can dispense 60 drinks before exceeding 5°C (@23.9°C incoming water)
- Refrigerated product cabinet protects flavor integrity and product life
- Large dispense area accommodates taller cups and carafes up to 22.3 cm
- Service-friendly design makes set-up and maintenance simple

Tank Regulator Required

Agency:



Specifications

Product #: 51600.0024
Flavors: 2 Flavors
Product Ratio: 4:1-12:1
Connector: Ball-valve
Water Access: Plumbed
Finish: Black
Door: Un-Lit
Refrigerant: R134A

Additional Features

Electrical & Capacity

Volts*	Amps	Watts	Cord Attached	Plug Type	8oz cups/hr 236ml cups/hr	Input H ² O Temp.	Phase	# Wires plus Ground	Hertz
220-240	2.25-2.75	410-520	Yes	EURO 16A	-	60°F (15.5°C)	1	2	50-60

*When a BUNN is machine rated 120/208-240V, 120/208V or 120/240V, the higher voltage is the supply voltage needed to power the machine. The 120V is there to supply power to some components rated 120V in the machine, but it is not the supply voltage and would not power the machine if the machine is marked with the before mentioned ratings.

Plumbing Requirements

PSI	kPa	Fitting Supplied	Water Flow Required (GPM)
30-90	207-621	3/8" Male Flare Fitting	0.94

CAD Drawings

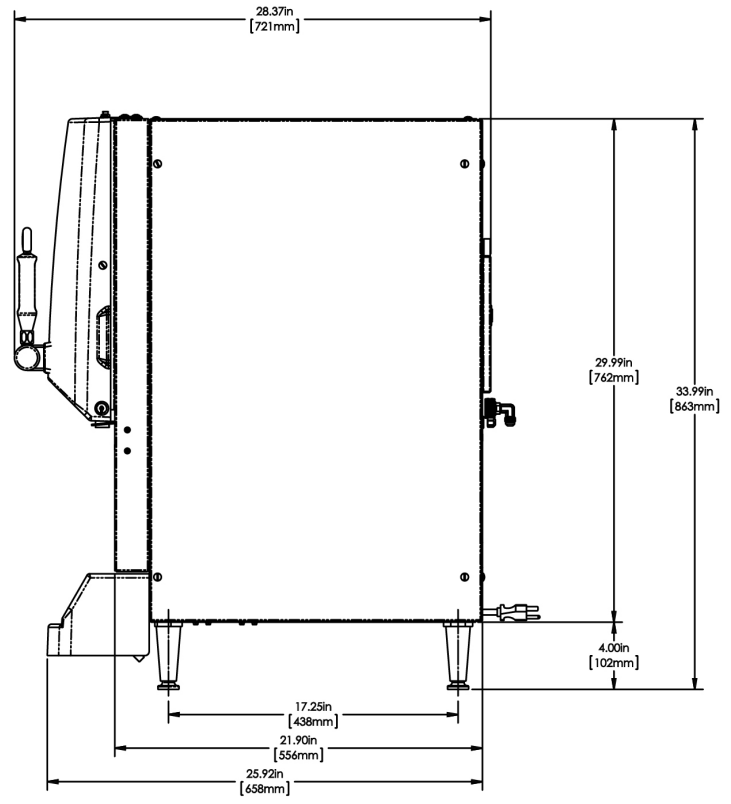
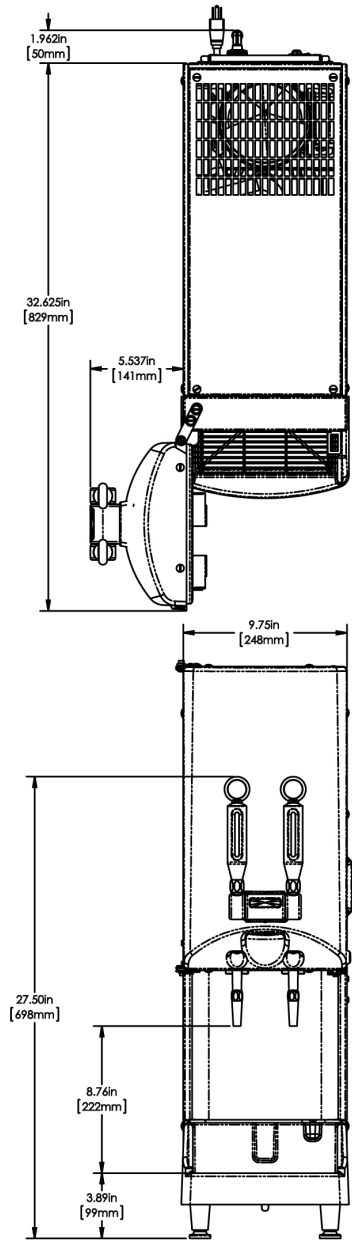
2D	Revit	KLC
●		

WARNING:



BUNN® reserves the right to change specifications and product design without notice. Such revisions do not entitle the buyer to corresponding changes, improvements, additions or replacements for previously purchased equipment. For most current specifications and other info visit bunn.com.

Last Updated:
07/14/2022




Unit			Shipping					
	Height	Width	Depth	Height	Width	Depth	Weight	Volume
English	34.0 in.	9.8 in.	29.8 in.	43.7 in.	22.8 in.	30.5 in.	118.120 lbs	17.543 ft³
Metric	86.4 cm	24.9 cm	75.7 cm	111.0 cm	57.8 cm	77.5 cm	53.579 kgs	0.497 m³



BUNN® reserves the right to change specifications and product design without notice. Such revisions do not entitle the buyer to corresponding changes, improvements, additions or replacements for previously purchased equipment. For most current specifications and other info visit bunn.com.

Last Updated:
07/14/2022

Related Products & Accessories: NITRON® Cold Draft 4:1-12:1, CE EU(51600.0024)



SANITIZER, KAY-5
(BOX-200 PKTS)

Product #: 24634.0000



SANITIZER, KAY-5
(BOX-50 PKTS)

Product #: 24634.0001



WATER FILTER,
EQHP-10

Product #: 39000.0004



WATER FILTER,
EQHP-5C

Product #: 39000.0014



CONTAINER ASSY,
REFILLABLE

Product #: 39302.0000



KIT, TST 2 VALVE
NITRON

Product #: 45536.1004



SYSTEM, WQ-55(2)5

Product #: 56000.0004



SYSTEM, WQ-40(3).2C

Product #: 56000.0014



SYSTEM, WEQ-10(1.5)5

Product #: 56000.0027



SYSTEM, WEQ-18(2).2C

Product #: 56000.0036



CARTRIDGE, WQ-55(2)5

Product #: 56000.0104



CARTRIDGE, WQ-60
(3.5).2C

Product #: 56000.0114



CARTRIDGE, WEQ-10
(1.5)5L

Product #: 56000.0121



CARTRIDGE, WEQ-10
(1.5)5

Product #: 56000.0122



CARTRIDGE, WEQ-18
(2).2C

Product #: 56000.0128



KIT, FILTERS NGM

Product #: 56333.0000



KIT, SWITCH COVER - 2
VALVE CBDSPCT

Product #: 58139.0000

Serving & Holding Options: NITRON® Cold Draft 4:1-12:1, CE EU(51600.0024)

Serving and Holding selections are currently unavailable. Please contact your sales representative to find out more information.



BUNN® reserves the right to change specifications and product design without notice. Such revisions do not entitle the buyer to corresponding changes, improvements, additions or replacements for previously purchased equipment. For most current specifications and other info visit bunn.com.

Last Updated:
07/14/2022