

VP17A-1 (1 Lower Warmer)

Height: 19.0" Width: 8.4" Depth: 19.3"
(48.3cm) (21.3cm) (49.0cm)

- All stainless steel construction
- Pourover brewer requires no plumbing – completely portable
- SplashGard® funnel deflects hot liquids away from the hand
- Two individually controlled warmers
- Servers not included unless otherwise noted



 Server(s) sold separately

Agency:



Specifications

Additional Features

Product #: 13300.0024

Warmers: One Lower

Water Access: Not Plumbed

Finish: Stainless/Black

Funnel: Black Plastic

Electrical & Capacity

Volts*	Amps	Watts	Cord Attached	Plug Type	8oz cups/hr 236ml cups/hr	Input H ₂ O Temp.	Phase	# Wires plus Ground	Hertz
220-240	9.0-9.9	2000-2375	Yes	EURO 16A	93	60°F (15.5°C)	1	2	50-60

*When a BUNN is machine rated 120/208-240V, 120/208V or 120/240V, the higher voltage is the supply voltage needed to power the machine. The 120V is there to supply power to some components rated 120V in the machine, but it is not the supply voltage and would not power the machine if the machine is marked with the before mentioned ratings.

Plumbing Requirements

CAD Drawings

PSI	kPa	Fitting Supplied	Water Flow Required (GPM)
-	-	-	-

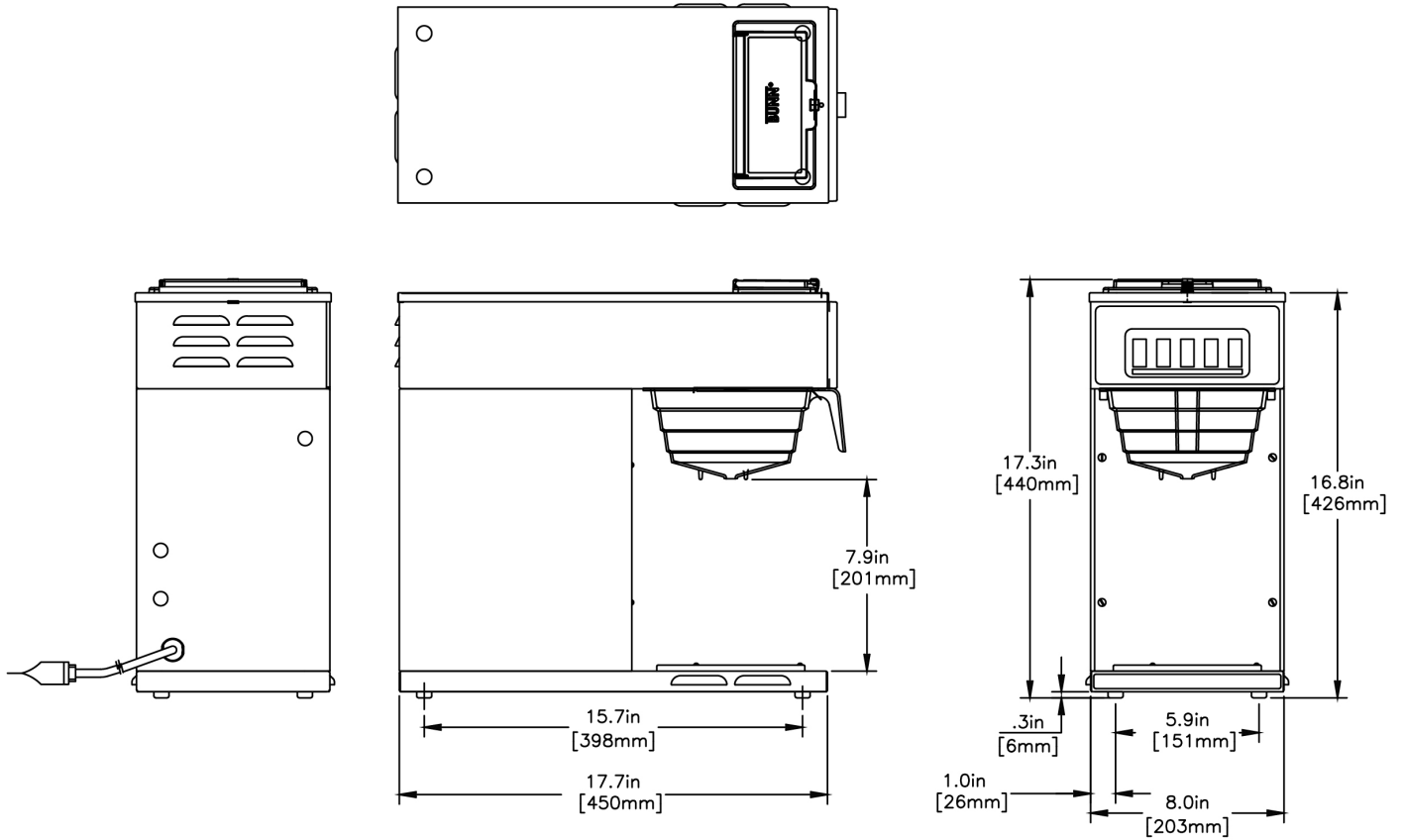
2D	Revit	KLC
●		

 **WARNING:**



BUNN® reserves the right to change specifications and product design without notice. Such revisions do not entitle the buyer to corresponding changes, improvements, additions or replacements for previously purchased equipment. For most current specifications and other info visit bunn.com.

Last Updated:
10/18/2022



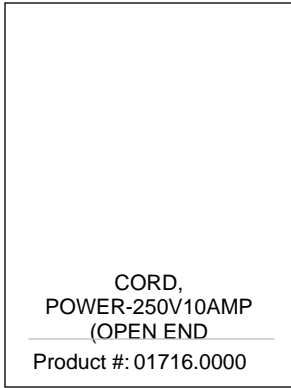
	Unit			Shipping				
	Height	Width	Depth	Height	Width	Depth	Weight	Volume
English	19.0 in.	8.4 in.	19.3 in.	23.8 in.	12.5 in.	26.5 in.	27.200 lbs	4.566 ft ³
Metric	48.3 cm	21.3 cm	49.0 cm	60.3 cm	31.8 cm	67.4 cm	12.338 kgs	0.129 m ³



BUNN® reserves the right to change specifications and product design without notice. Such revisions do not entitle the buyer to corresponding changes, improvements, additions or replacements for previously purchased equipment. For most current specifications and other info visit bunn.com.

Last Updated:
10/18/2022

Related Products & Accessories:VP17A-1 (1 Lower Warmer)(13300.0024)



CORD,
POWER-250V10AMP
(OPEN END
Product #: 01716.0000



FUNNEL W/DECAL,PPK
NAR BLK(SM)
Product #: 02774.0011



FUNNEL W/DECAL,PPK
NAR BLK(LG)
Product #: 04274.0012



WX2A, 230V 50/60HZ
Product #: 06310.0006



FILTERS,REGULAR1M
500/2 50/CL
Product #: 20115.0000



FUNNEL ASSY, SST-BLK
HDL(7.12
Product #: 20216.0000



FUNNEL ASSY, SST-PP
BLK HDL
Product #: 29151.0000



FUNNEL ASSY,SST-PP
ORANGE HDL
Product #: 29151.0001



BUNN® reserves the right to change specifications and product design without notice. Such revisions do not entitle the buyer to corresponding changes, improvements, additions or replacements for previously purchased equipment. For most current specifications and other info visit bunn.com.

Last Updated:
10/18/2022

Serving & Holding Options: VP17A-1 (1 Lower Warmer)(13300.0024)



EASY POUR®,(BLK) 1/CS

Product #:06100.0101



EASY POUR®,(BLK) 2/CS

Product #:06100.0102



EASY POUR®,(BLK) 3/CS

Product #:06100.0103



EASY POUR®,(BLK) 6/CS

Product #:06100.0106



EASY POUR®,(BLK) 12/CS

Product #:06100.0112



EASY POUR®,(BLK) 24/CS

Product #:06100.0124



EASY POUR®,(ORN) 1/CS

Product #:06101.0101



EASY POUR®,(ORN) 2/CS

Product #:06101.0102



EASY POUR®,(ORN) 3/CS

Product #:06101.0103



EASY POUR®,(ORN) 24/CS

Product #:06101.0124



DECANTER, GLASS-BLK 12C 24/CS

Product #:42400.0024



DECANTER, GLASS-BLK 12CUP 1PK

Product #:42400.0101



DECANTER, GLASS-BLK 12C 3/CS

Product #:42400.0103



DECANTER, GLASS-ORN 12C 24/CS

Product #:42401.0024



DECANTER, GLASS-ORN 12 CUP 1PK

Product #:42401.0101



DECANTER, GLASS-ORN 12C 3/CS

Product #:42401.0103



BUNN® reserves the right to change specifications and product design without notice. Such revisions do not entitle the buyer to corresponding changes, improvements, additions or replacements for previously purchased equipment. For most current specifications and other info visit bunn.com.

Last Updated:
10/18/2022